

## Characteristics

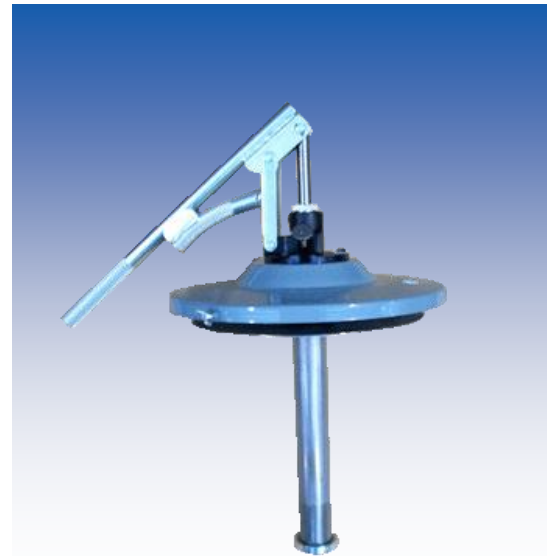
- **Delivery:**  
50 cm<sup>3</sup> of fluid for each operation of the lever;
- **Pressure:**  
35 bar max.

## Transfer and Filling Pumps series 132000 For Oil or Grease and Non-corrosive Fluids.

Piston pumps equipped with suction hose. Discharge .050 Kg. (.11 lb.) of lubricant per stroke with a back pressure of 35 bar (500 psi.). A manual built in pressure release valve permits return of handle to down position without discharging lubricant. Can be used for transferring alcohol, asphalt emulsions, fuel cleaning solvents, fuel oil, benzene, lacquer thinner, vegetable oils and many other non-corrosive, non-abrasive materials.

This pumps delivering 50 gr of lubricant per stroke, and can support until 35 bar pressure.

The release of the lubricant happens during the run of low lever.



Once the task, having to return the lever to its pause position (bass), prevents the escape of lubricant rotating counterclockwise the knurled knob of the needle valve.

**Output lubricant 3/8 "BSP (female).**

Pumps are supplied without filter.

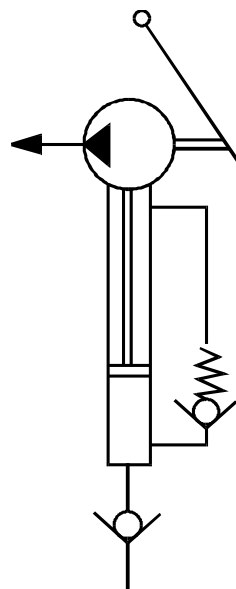
### Maintenance

The only maintenance required is cleaning the inside of the pump with gasoline or petroleum (remove the pump unit from the stem). E 'will be a scheduled maintenance at intervals of one year shorter when working in dusty environments or the use of lubricating additives.

### Lubricants

Use only lubricants of quality, free of corrosive and solid, with good pumping characteristics (penetration index minimum 220/300 ASTM).

Hydraulic diagram:

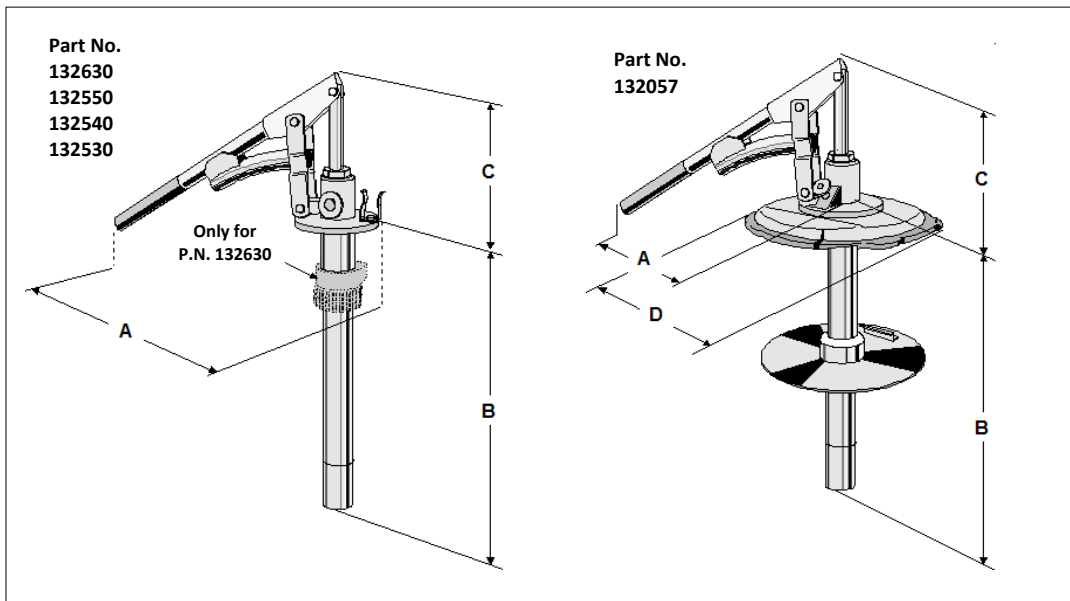


## Applications

- Can be used for filling centralized pumps reservoir.

# Transfer and Filling Pumps series 132000

## Dimensions

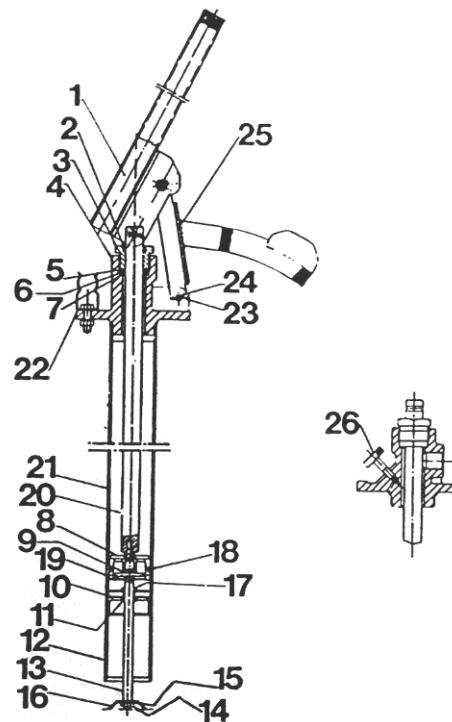


### DIMENSIONS

PUMP P.N.	A mm.	B mm.	C mm.	D INTERNAL Ø OF DRUM
132057	390	375	190 -	316
132550	390	375	190 -	316
132540	390	515	190 -	380
132530	390	690	190 -	486
132630	390	925	190 -	612

## Components

Pos.	Description	Part No.	Q.ty
1	Lever	132022	1
2	Gasket	18821	1
3	Bush	132017	1
4	Plate number	113044	1
5	Gasket	132018	1
6	Gasket	132019	1
7	Gasket	132020	1
8	Washer	132006	1
9	Washer	132008	1
10	Pin	132033	1
11	Suction valve	132010	1
12	Lower cylinder	132005	1
13	Rod	132009	1
14	Exagonal nut	16404	1
15	Elastic washer	16009	1
16	Caseback	132016	1
17	Washer	132015	1
18	Gasket	18838	1
19	Piston	132002	1
20	Rod	*	
21	Cylinder	*	
22	Pump group	132001	1
23	Split pin	18741	3
24	Pin	151020	3
25	Handle	132025	1
26	Needle valve	132021	1



* Pump	Rod (pos. 20)	Cylinder (pos.21)
132530	132508	132504
132540	132509	132505
132550	132510	132506
132057	132510	132506
132630	132507	132503

\* See the table in the right

## Contacts

www.dropsa.com  
sales@dropsa.com

### ITALY

Dropsa SpA  
t. +39 02-250791  
f.+39 02-25079767

### U.K.

Dropsa (UK) Ltd  
t. +44 (0)1784-431177  
f. +44 (0)1784-438598

### GERMANY

Dropsa GmbH  
t. +49 (0)211-394-011  
f. +49 (0)211-394-013

### FRANCE

Dropsa Ame  
t. +33 (0)1-3993-0033  
f. +33 (0)1-3986-2636

### CHINA

Dropsa Lubrication Systems  
(Shanghai) Co.,Ltd  
t. +86 (021) 67740275  
f. +86 (021) 67740205

### U.S.A.

Dropsa Corporation  
t. +1 586-566-1540  
f. +1 586-566-1541

### AUSTRALIA

Dropsa Australia Ltd.  
t. +61 (0)2-9938-6644  
f. +61 (0)2-9938-6611

### BRAZIL

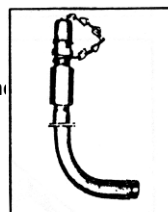
Dropsa Remonlub  
t. +55 (0)11-563-10007  
f. +55 (0)11-563-19408

## Transfer and Filling Pumps series 132000

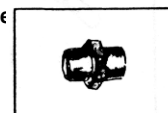
### Charging valve

Part No. 132160.

It connects directly to the output of the pump (3 / 8 "BSP).



Nipple to connect the pump to the filter (3/8" BSP) Part No. 133085

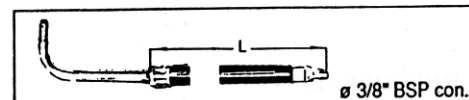
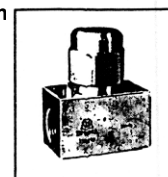


Filter for grease Part No. 1113210 with thread Ø 3/8" BSP.

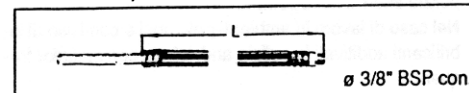
Filter cartridge Part No. 1113205.

Filter for oil Part No. 1113240 con thread Ø 3/8" BSP.

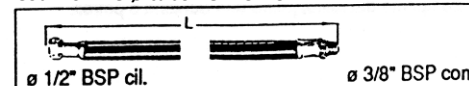
Filter cartridge Part No. 1113221.



Flex with valve for oils transfer  
Cod. 101777 Ø tubo flex 13x23



Flex without valve for oils transfer  
Cod. 101778 Ø tubo flex 13x23



Flex for refilling pumps  
Cod. 101779 Ø tubo flex 13x23

To order a flex add to num. code the length L in cm (overall).

## Order Informations

### HOW TO ORDER

For drums Kg.	Pump Part No.	Cover Part No.	Follower plate (grease only) Part No.	Piston Rod mm.
200	<b>132630</b>	<b>1141500</b>	<b>1141103</b>	925
115	<b>132530</b>	<b>1141530</b>	<b>1141130</b>	690
56	<b>132540</b>	<b>1141520</b>	<b>1141131</b>	515
20	<b>132550</b>	<b>1141545</b>	<b>1141140</b>	375
20	<b>132057</b>	<b>equipment</b>	<b>equipment</b>	375

### ACCESSORIES

FOLLOWER PLATE	It is needed when the pump is used to transfer greases (see table). Maximum grease consistency NLGI 1.
LID	It is used when the pump is assembled onto a drum (it replaces the original drum's cover, see table).
OIL STRAINER	<b>Part No. 1113250 N.1 + Part No.3077117 N.2</b> Ø 3/8" BSP Filter cartridge <b>Part No. 1113231</b>
GREASE STRAINER	<b>Part No. 1113210 N.1 + Part no. 3077117 N.2</b> Ø 3/8" BSP Filter cartridge <b>Part No. 1113205</b>
NIPPLE	to connect the pump to the filter 3/8 BSP <b>Part No. 133085</b>
HOSE WITH OIL TRANSFER VALVE	Ø tube 13x23 <b>Part No. 101777</b>
HOSE WITHOUT OIL TRANSFER VALVE	Ø tube 13x23 <b>Part No. 101778</b>
REFILLING PUMP HOSE	Ø tube 13x23 <b>Part No. 101779</b>